

Grade 6 Math Homework

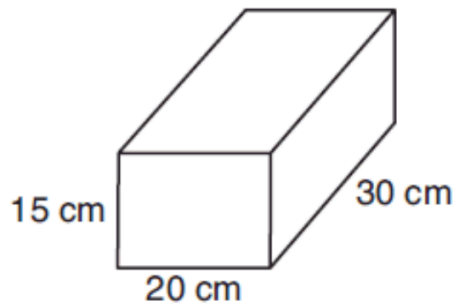
May 6th - 10th

Remember:

Volume of a rectangular prism = length \times width \times height

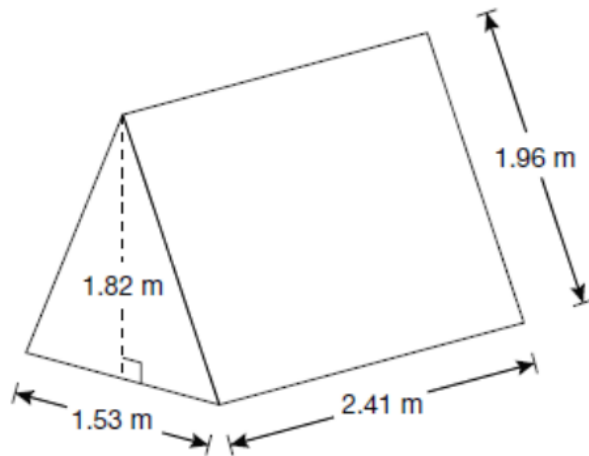
Volume of a triangular prism = area of the triangular base \times height

1. Look at this rectangular prism:



- a) What is the volume? Show your calculations.
- b) What is the total surface area? Show your calculations.

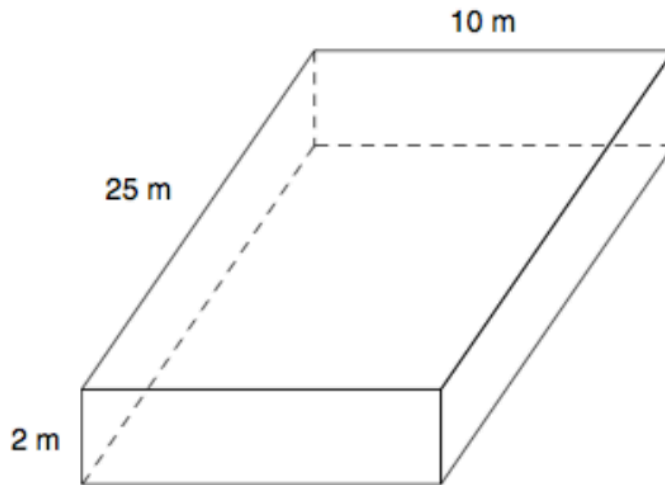
2. Look at this triangular prism:



a) What is the volume? Show your calculations.

b) What is the total surface area? Show your calculations.

3. A pool in the shape of a rectangular prism is shown below.



Hint :

$$1 \text{ m}^3 = 1000 \text{ L}$$

How many litres of water are needed to completely fill the swimming pool?

- a 500 000
- b 50 000
- c 5000
- d 500

SHOW YOUR WORK BELOW!!!